




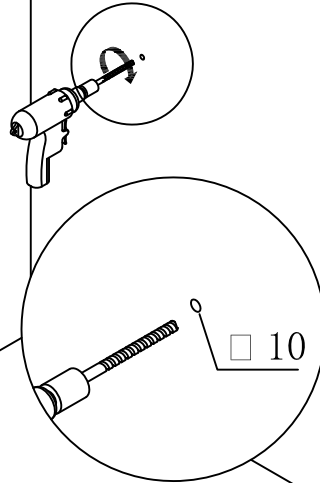
Item No. :500410-30

Assembly Instruction

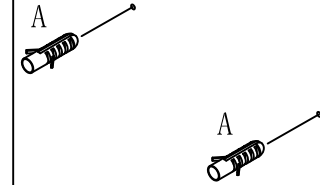
Hardware

No.	Draw	Qty
A		2 PCS
B		2 PCS
C		2 PCS

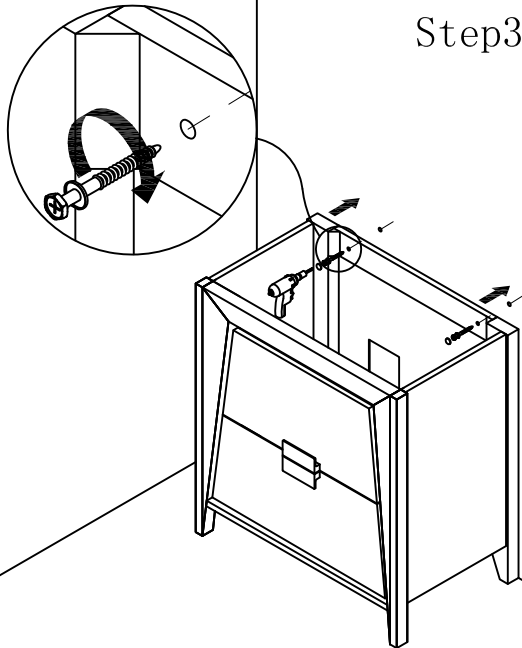
Step1



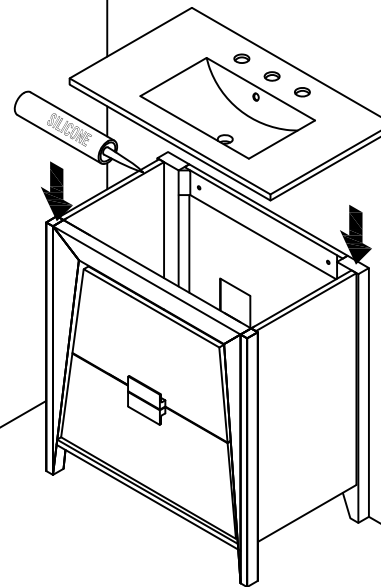
Step2



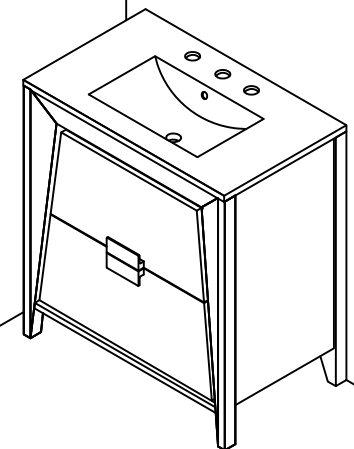
Step3



Step4

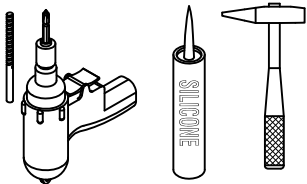


Finished




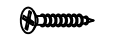
Description:
Main Cabinet
Size:
750x460x830mm

Tools:

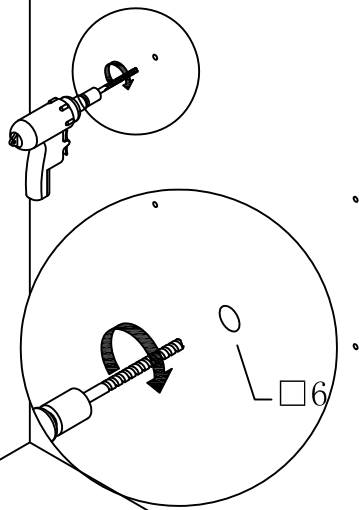


Item No. :500410-30

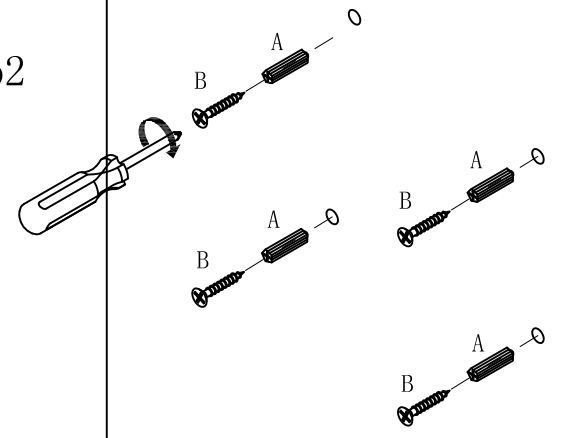
Assembly Instruction

Hardware		
No.	Draw	Qty
A		4 PCS
B		4 PCS

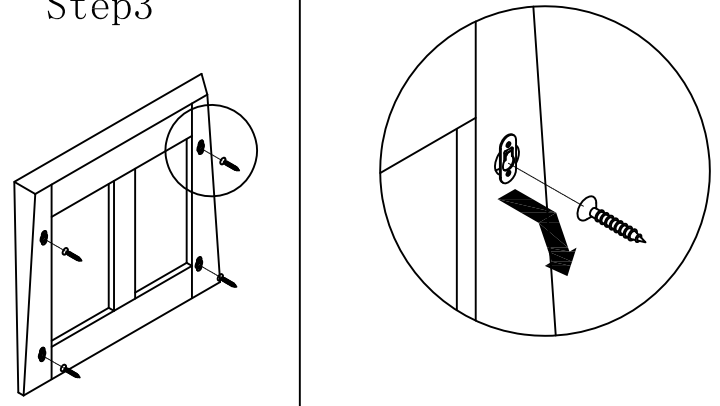
Step1



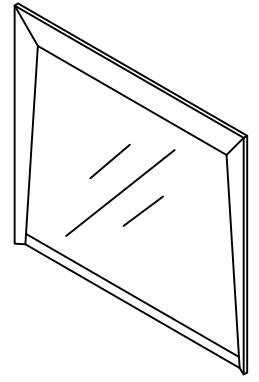
Step2



Step3



Finished



Description:
Mirror
Size:
750x60x650mm

